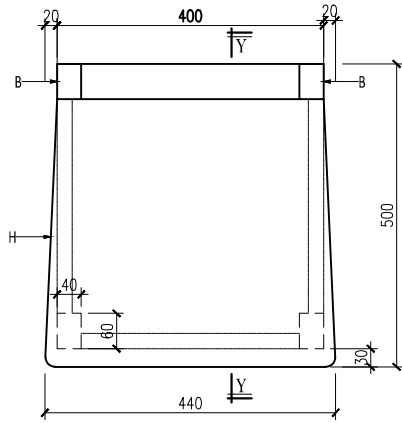
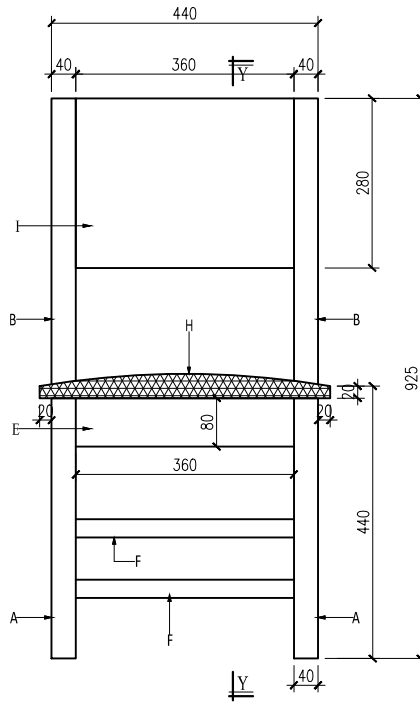


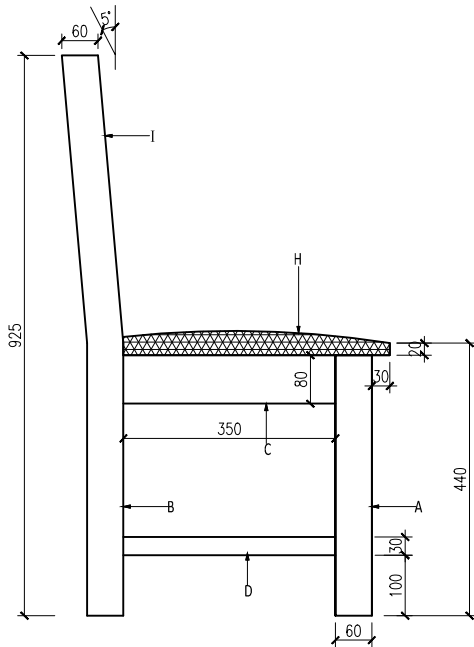
Furniture Arrangement for Computer Room for 40No. Students



Plan Detail of a Computer Room Chair

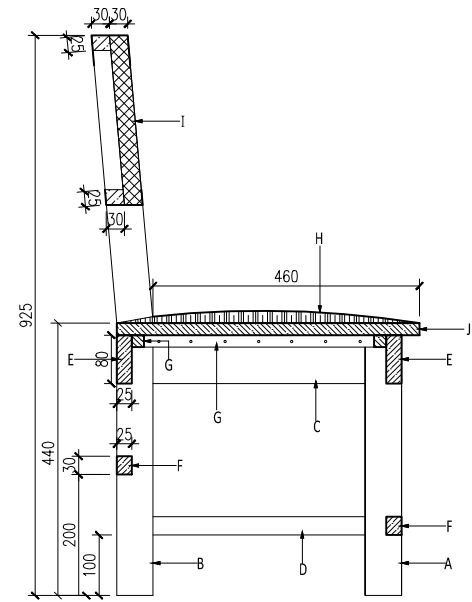


Front Elevation Detail of a Computer Room Chair



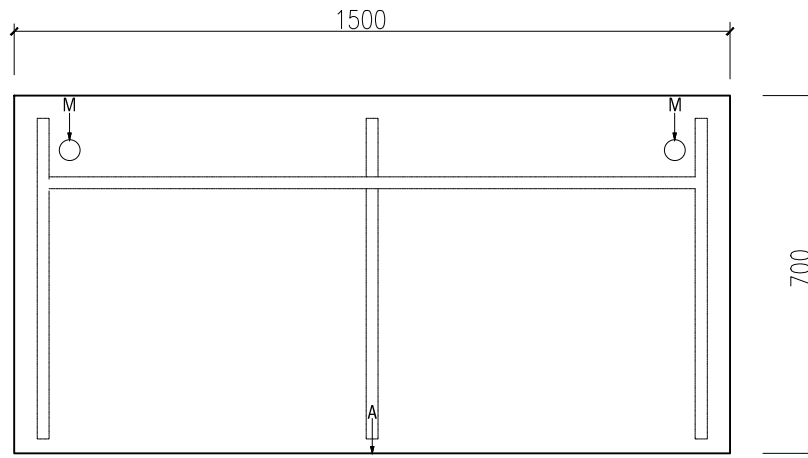
Side Elevation Detail of a Computer Room Chair

Code	Description	Qty	Unit	Remarks
A	40 x 60 x 420 hardwood front leg	2	mm	sprayed
B	40 x 60 x 925 hardwood back leg	2	mm	
C	25 x 80 x 530 top rails (sides)	2	mm	
D	25 x 30 x 530 bottom rail (sides)	2	mm	
E	25 x 80 x 380 front & back rails (top)	2	mm	
F	25 x 30 x 380 front & back rails (bottom)	2	mm	
G	20 x 20 batten to hold seat	4	mm	
H	padding seat (black leather covering)	1	mm	
I	framed backrest (30mm thick hardwood)	1	mm	
J	20mm thick hardwood frame/support for leather pad	1	mm	

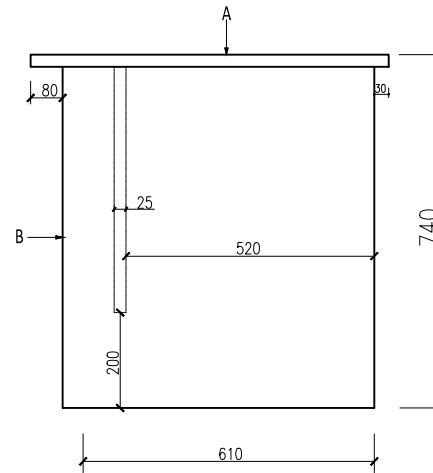


Section Y-Y Detail of a Computer Room Chair

Computer Room Chair



Plan Detail of a Computer Table for Two (2No. Students)

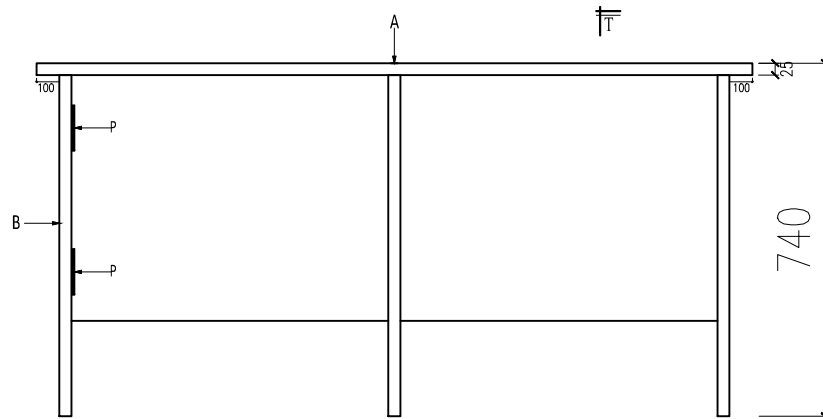


Side Elevation Detail of Computer Table

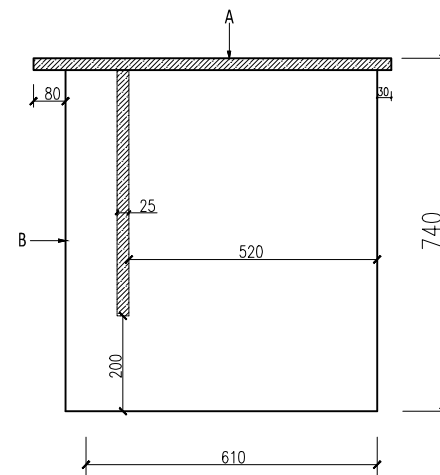
Code	Description	Qty	Unit	Remarks
A	25 thick x 750 wide x 1500 hardwood / plywood (lipped) top	1	mm	25x25hw. lipped
B	25 x 680 x 715 hardwood leg	3	mm	-hardwood shall be sprayed/finished
D	20 x 20 x 1250 battens to hold top (long)	1	mm	-hardwood shall be sprayed/finished
P	table hook	6	mm	-hardwood shall be sprayed/finished
M	70mm diameter networking hole created in table with plastic lining	2	mm	set

Note: Hardwood: Well seasoned 'sawmill' wood (species: Mahogany, Dalhousie, Odum, Etime, or "approved"). Moisture content: 13% to 18%.
-Hardwood shall be finished/sprayed

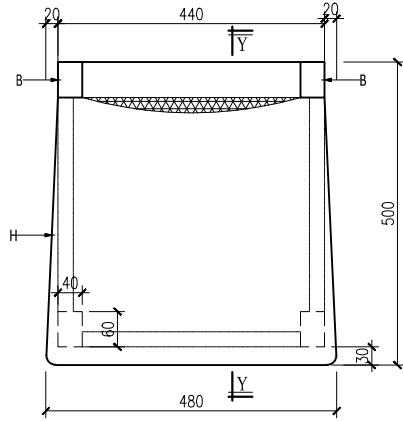
Rectangular Computer Table



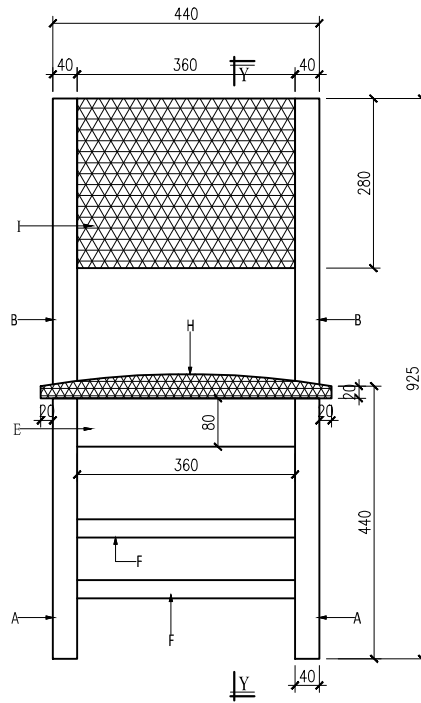
Front Elevation Detail of Computer Table



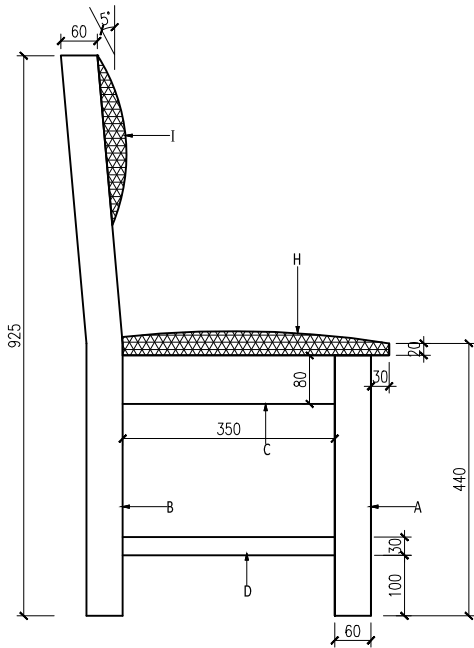
Section T-T Detail of Computer Table



Plan Detail of a Common Room Chair



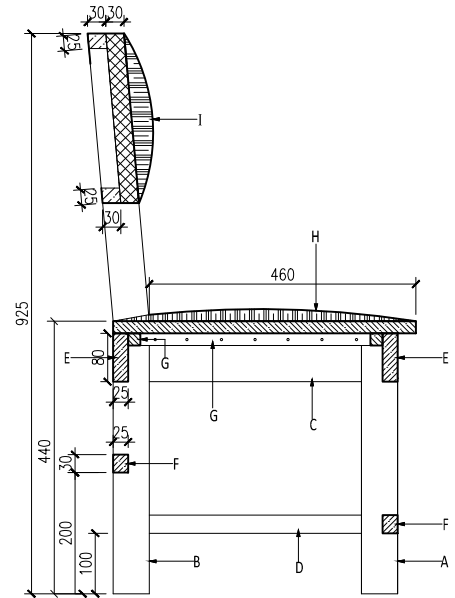
Front Elevation Detail of a Common Room Chair



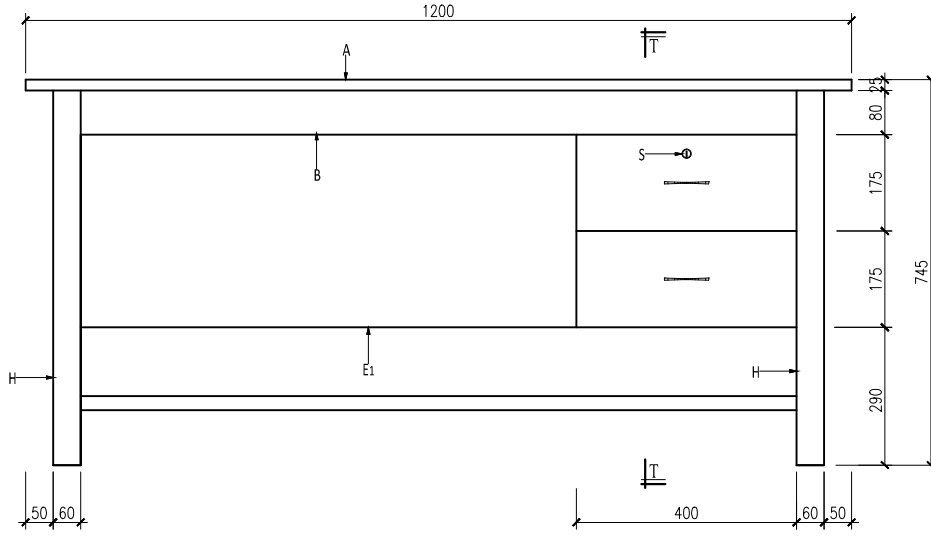
Side Elevation Detail of a Common Room Chair

Code	Description	Qty	Unit	Remarks
A	40 x 60 x 420 hardwood front leg	2	mm	sprayed
B	40 x 60 x 925 hardwood back leg	2	mm	
C	25 x 80 x 530 top rails (sides)	2	mm	
D	25 x 30 x 530 bottom rail (sides)	2	mm	
E	25 x 80 x 420 front & back rails (top)	2	mm	
F	25 x 30 x 420 front & back rails (bottom)	2	mm	
G	20 x 20 batten to hold seat	4	mm	
H	padded seat (black leather covering)	1	mm	
I	frame & padded backrest (black leather covering)	1	mm	

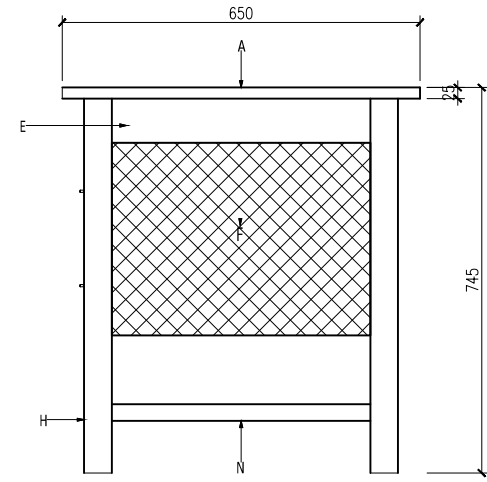
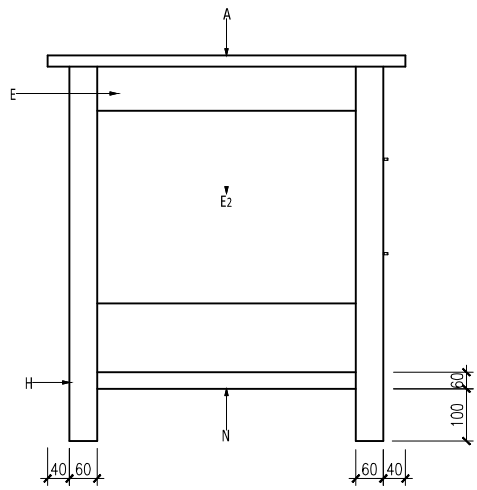
Teacher's Chair



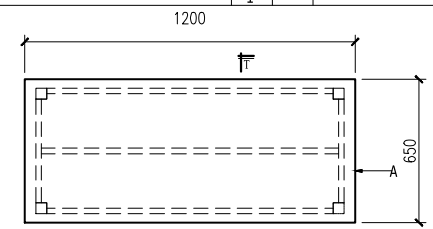
Section Y-Y Detail of a Common Room Chair



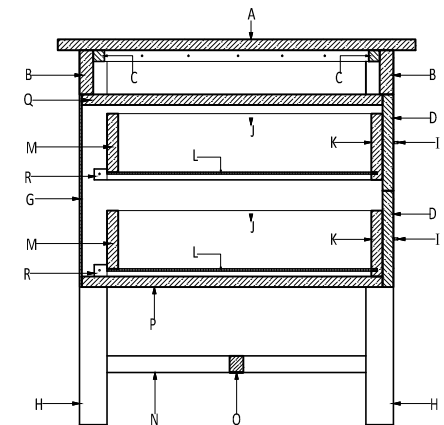
Front Elevation Detail of Teachers Table



Right Side Elevation Detail of Teachers Table



Plan Detail of Teachers Table



Section T-T Detail of Teachers Table

Code	Description	Qty	Unit	Remarks
A	25 x 650 x 1200 hardwood / hard plywood top (lipped with 25x25 hardwood)	1	mm	sprayed (1 under coat primer and 2 coats of finishing - in natural wood colours)
B	25 x 80 x 1068 top rail (front & back)	2	mm	hardwood: well seasoned 'sawmill'
C	battens to hold top (20 x 20 x 1050 / 20 x 20 x 520)	4	mm	wood (species: mahogany, dahoma, odum, emire, walnut). Moisture content: 13% to 18%
D	20 x 175 x 400 drawer front (false)	2	mm	-hardwood shall be finished/sprayed
E	25 x 80 x 546 side rails (top)	2	mm	
E1	12 x 350 x 625 front/back screen	1	mm	12mm thick plywood
E2	12 x 350 x 520 side screen	1	mm	12mm thick plywood
F	19 x 350 x 546 side of drawer holder	2	mm	
G	6mm thick plywood back	1	-	6mm thick plywood
H	60 x 60 x 720 table legs	4	mm	
I	handle	2	-	brass coated metal
J	20 x 130 x 450 drawer side	4	mm	
K	20 x 130 x 450 drawer front	2	mm	
L	4mm thick drawer bottom	2	mm	6mm thick plywood
M	20 x 116 x 362 drawer back	2	mm	
N	25 x 60 x 538 side rail (bottom)	2	mm	
O	25 x 60 x 1370 stretcher	1	-	
P	19 x 368 x 546 bottom of drawer holder	1	mm	
Q	19 x 368 x 546 top of drawer holder	1	mm	
R	drawer runner	2	-	pairs
S	drawer lock	1	-	